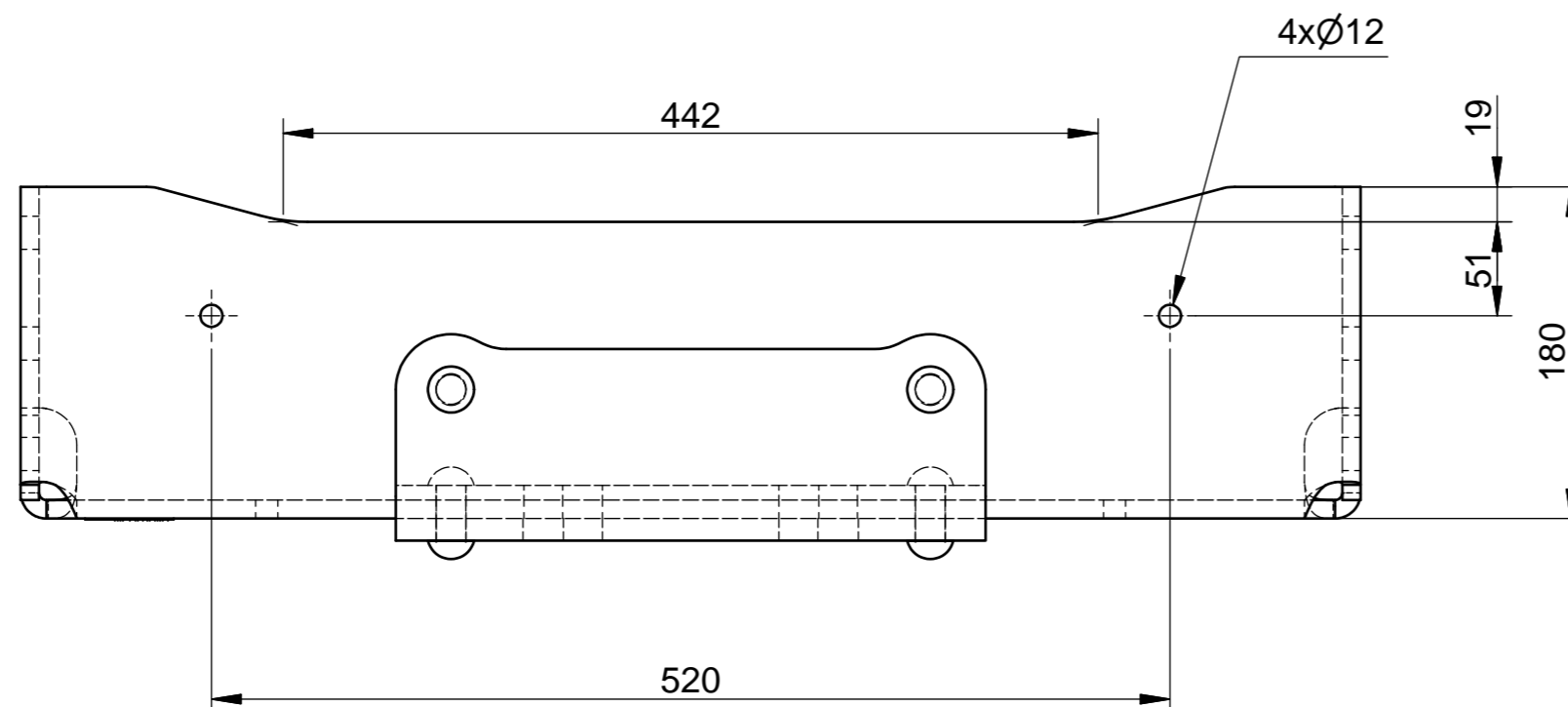
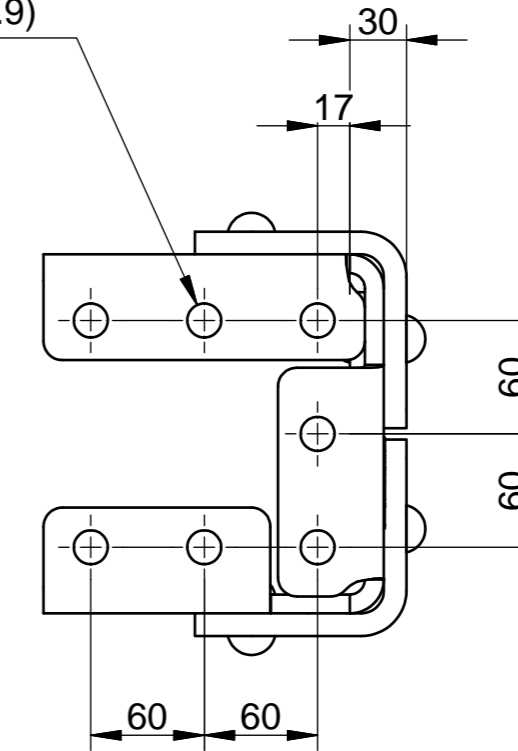
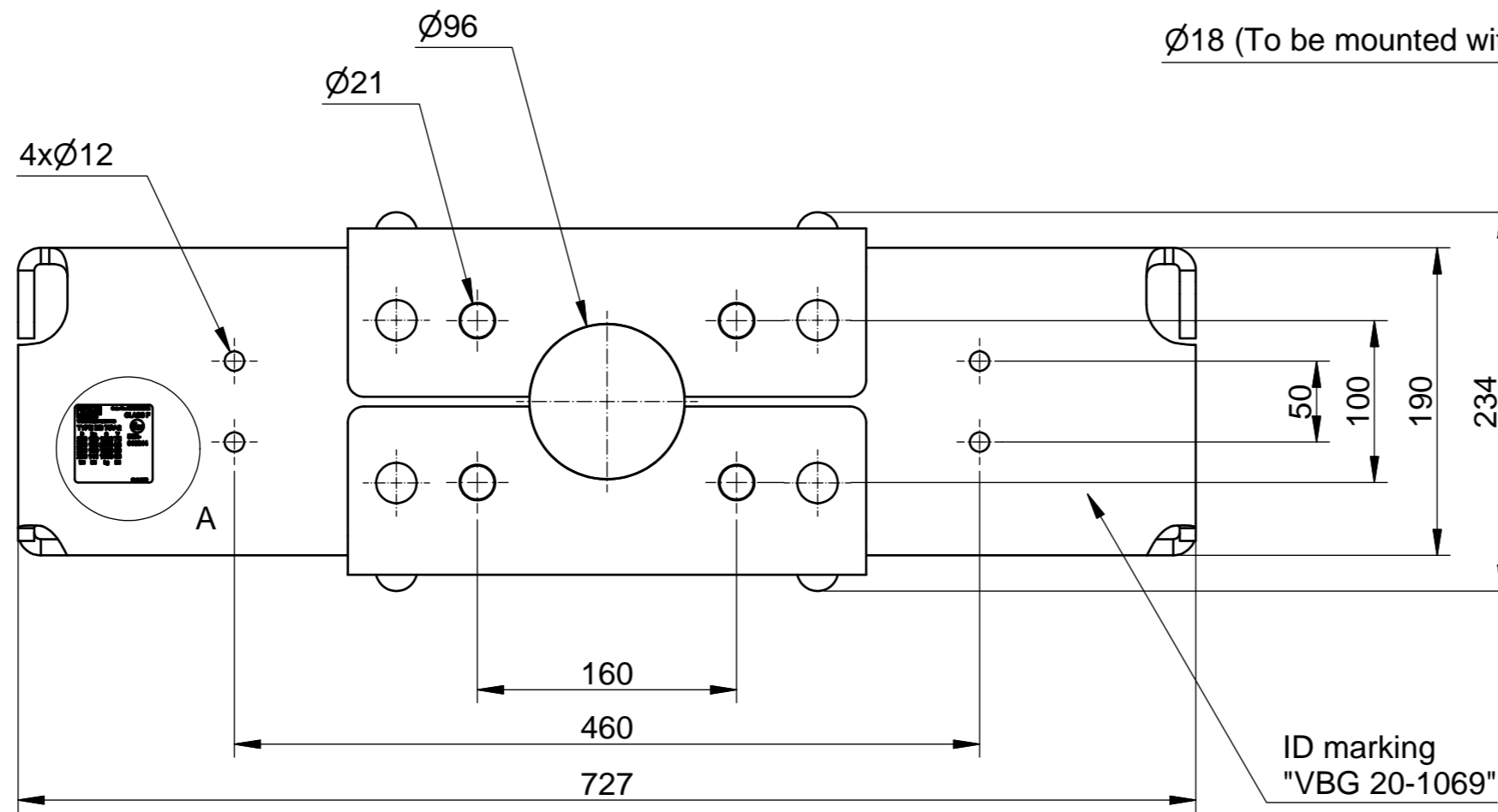
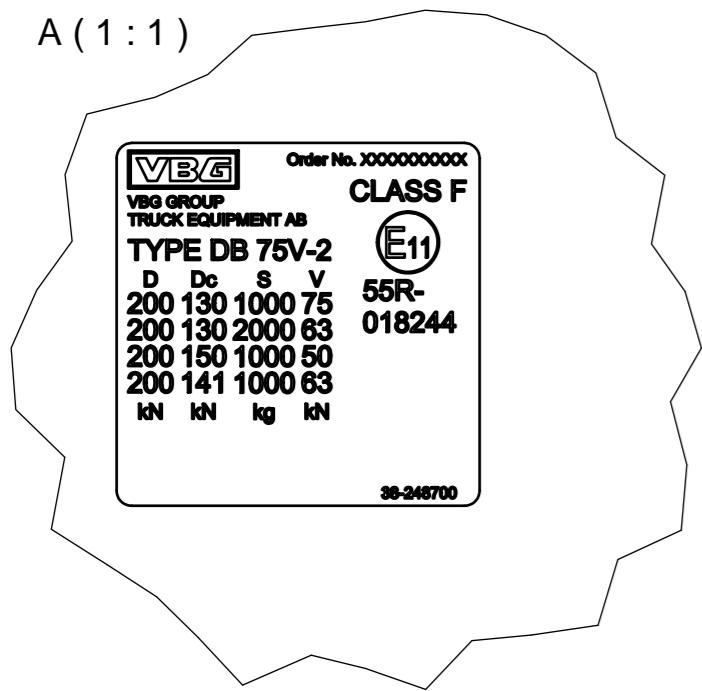


A (1:1)



VBG GROUP		Modified Date 2013-03-08	Modified by SN	Modification No. 11973	Issue b
		3D Model No. 20-108100	Engineer SJ	Checked by	
Description DB75V-2 L=728	Sheet Size A2	Scale 1:4	Projection	Drafting Date 2011-10-11	Drafted by SN
		Stage P	Drawing No. 20-108100 (F) INFO		
<small>This drawing is the property of VBG Group AB and is protected in accordance with prevailing law. Changes must be made in CAD-program, this concerns both 2D & 3D.</small>					