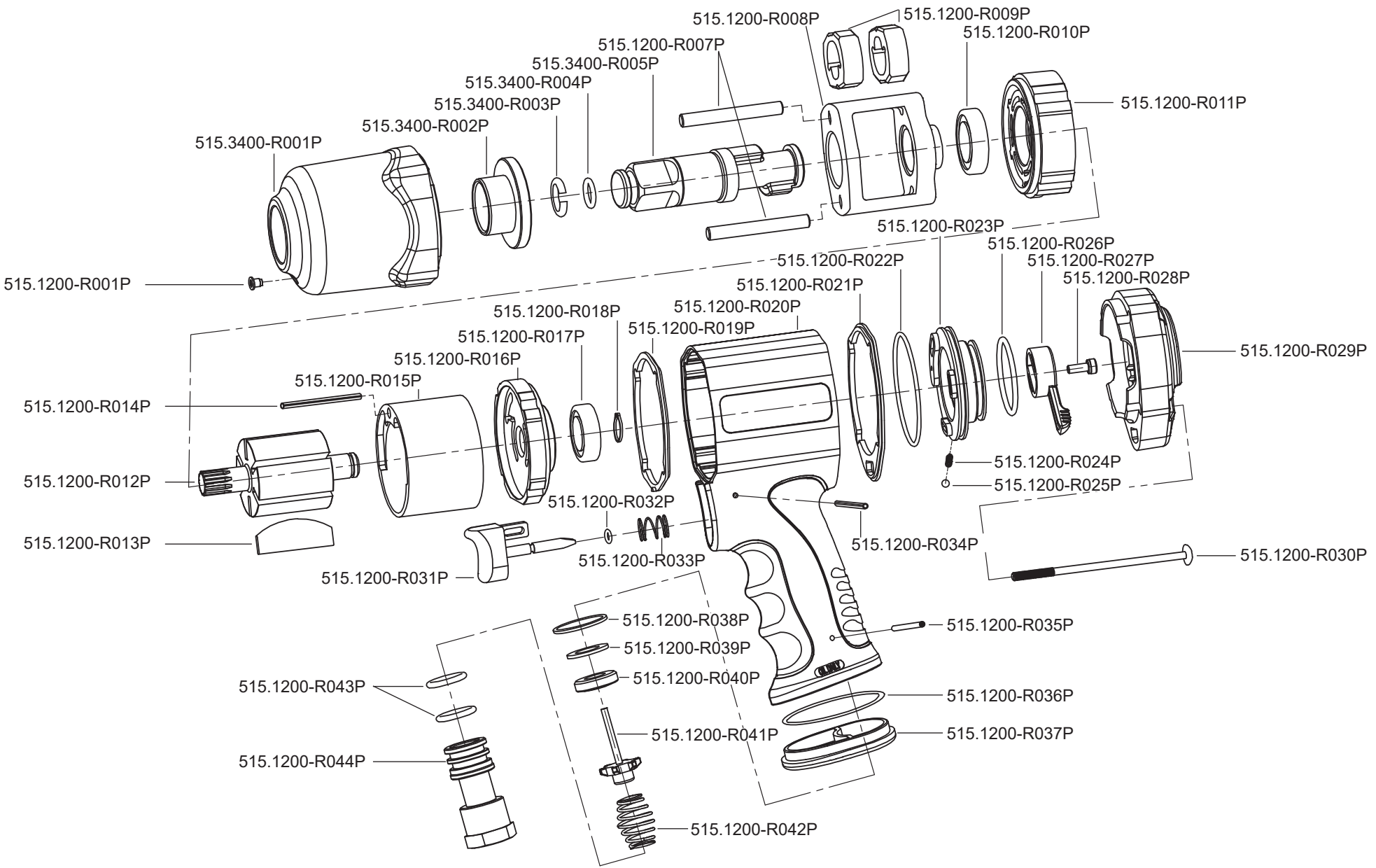


Art. 515.3400



Art. 515.3400

Art.-Nr.	Description	Beschreibung	Menge Qty.
515.1200-R001P	Hammer case grease fitting	Schmiernippel	1
515.1200-R007P	Hammer frame pin	Arretierungsstift	2
515.1200-R008P	Hammer frame	Hammerkäfig	1
515.1200-R009P	Hammer	Hammer	2
515.1200-R010P	Bearing	Kugellager	1
515.1200-R011P	Front end plate	Vordere Verschlussplatte	1
515.1200-R012P	Rotor	Rotor	1
515.1200-R013P	Rotor blade	Rotorblatt	6
515.1200-R014P	Pin	Pin	1
515.1200-R015P	Cylinder	Rotorgehäuse	1
515.1200-R016P	Rear end plate	Verschlussplatte	1
515.1200-R017P	Bearing	Kugellager	1
515.1200-R018P	Front gasket	Vordere Dichtung	1
515.1200-R019P	Seal	Dichtungsring	1
515.1200-R020P	Housing	Gehäuse	1
515.1200-R021P	Rear seal	Hintere Dichtung	1
515.1200-R022P	O-ring	O-Ring	1
515.1200-R023P	Reverse switch base	Umschalter	1
515.1200-R024P	Spring	Feder	1
515.1200-R025P	Steel ball	Stahlkugel	1
515.1200-R026P	O-ring	O-Ring	1
515.1200-R027P	Reverse switch	Umschalthebel	1

Art.-Nr.	Description	Beschreibung	Menge Qty.
515.1200-R028P	Screw für reverse switch	Schraube für Umschalthebel	1
515.1200-R029P	End cap	Gehäusedeckel	1
515.1200-R030P	End cap screw	Gehäuseschraube	4
515.1200-R031P	Trigger	Betriebsschalter	1
515.1200-R032P	O-ring	O-Ring	1
515.1200-R033P	Spring	Feder	1
515.1200-R034P	Spring pin	Splint	1
515.1200-R035P	Spring pin	Splint	1
515.1200-R036P	O-ring	O-Ring	1
515.1200-R037P	Exhaust deflector	Abluftdeflektor	1
515.1200-R038P	Washer	Abluftdichtung	1
515.1200-R039P	Gasket	Dichtungsring	1
515.1200-R040P	Gasket	Dichtungsring	1
515.1200-R041P	Tip valve	Druckventil	1
515.1200-R042P	Valve spring	Ventilfeder	1
515.1200-R043P	O-ring	O-Ring	2
515.1200-R044P	Air inlet	Lufteinlassschraube	1
515.3400-R001P	Hammer Case	Hammergehäuse	1
515.3400-R002P	Hammer case bushing	Laufbuchse	1
515.3400-R003P	Spring ring	Federring	1
515.3400-R004P	O-ring	O-Ring für 4Kant Antrieb	1
515.3400-R005P	Anvil	Amboss	1