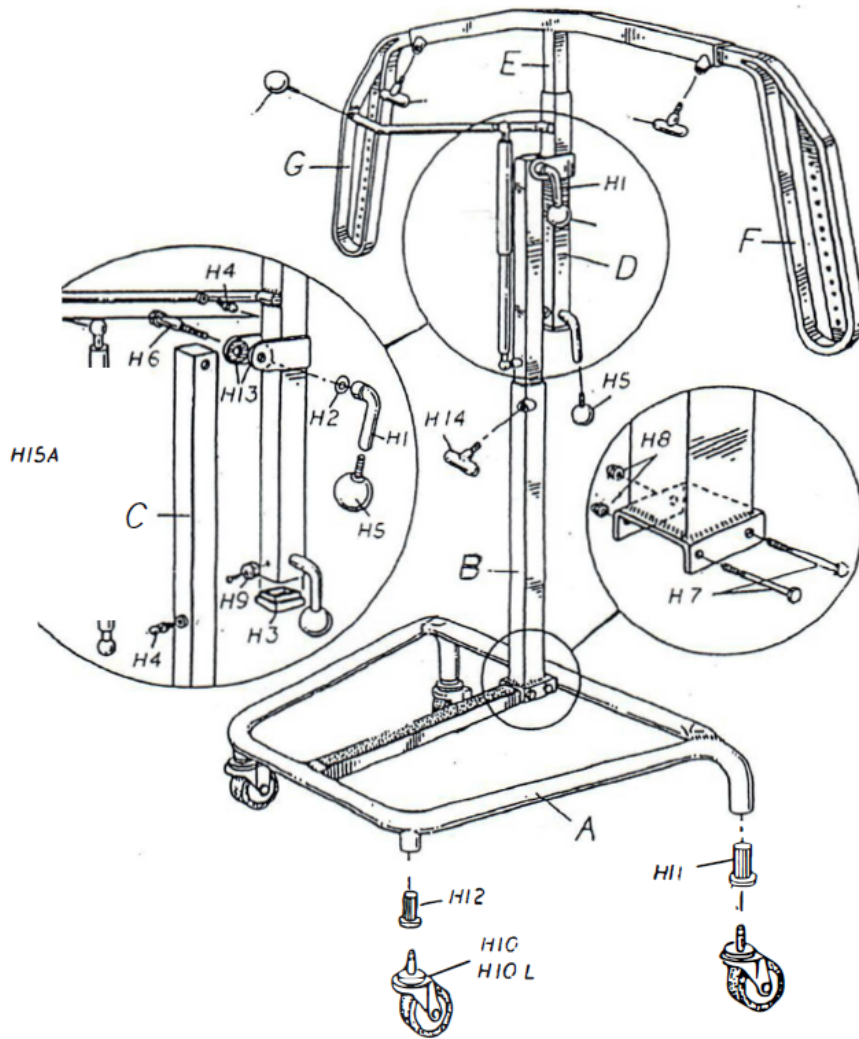


# G5 541 00 BT10



Part #	Description	Qty.
BT10-		
H1	Clamping Knob	1
H2	Washer, Nylon	1
H3	Square End Cap	1
H4	Ball Stud	2
H5	Ball Handle	3
H6	Pivot Bolt 1/2 X 3-3/4	1
H7	Hex Bolt 3/8 X 2-3/4	2
H8	Nyloc Nut 3/8 -16	2
H9	Bump stop with screw	1
H10	Caster w/Brake 3" dia (standard)	4
H10-L	Caster w/Brake 4" Dia. (optional)	4
H11	Caster Socket large	2
H12	Caster socket small	2
H13	Friction washers	2

Part #	Description	Qty.
BT10-		
H14	T-Handle 3/8-16 Stud	2
H15A	Gas spring assembly	1
HS1	Nyloc Nut 5/16-18 (for legs, not shown)	4
HS3	Hex bolt 5/16-18 X 2 (for legs, not shown)	4
EXT01	Extension Brackets (pair w/t-handles, not shown)	1
<b>BT10 Frame Parts</b>		
BT10-	Not sold separately	
A	Base	1
B	Upright	1
C	Slider	1
D	Pivot bracket	1
E	Tee	1
F	Extension left	1
G	Extension right	1