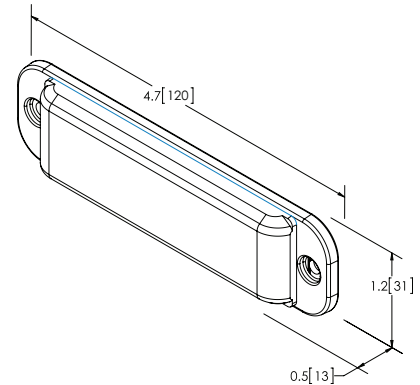


DIRECTIONAL LEDS



ED3701 Series SAE Class I Single- or Split-Color Surface Mount

ED3701 directional LEDs are bright and versatile warning lights that are suited to a wide variety of applications. Their ultra-low profile makes them easy to install virtually anywhere on a vehicle. Offering wide angle optics and multiple flash patterns, including synchronization with other units for simultaneous or alternating operation. ED3701 models feature 6 LEDs and are available in either single color or split-color configurations (3 LEDs of each color).



Models

| PART NO. | COLOR(s) | VDC | AMPS | COLOR CONFIGURATION |
|----------|-------------|-------|------|---------------------|
| ED3701A | Amber | 12-24 | 0.8 | Solid |
| ED3701B | Blue | 12-24 | 0.8 | Solid |
| ED3701C | Clear | 12-24 | 0.8 | Solid |
| ED3701G | Green | 12-24 | 0.8 | Solid |
| ED3701R | Red | 12-24 | 0.8 | Solid |
| ED3701AB | Amber/Blue | 12-24 | 0.8 | Split |
| ED3701AC | Amber/Clear | 12-24 | 0.8 | Split |
| ED3701AG | Amber/Green | 12-24 | 0.8 | Split |
| ED3701AR | Amber/Red | 12-24 | 0.8 | Split |
| ED3701BC | Blue/Clear | 12-24 | 0.8 | Split |
| ED3701RB | Red/Blue | 12-24 | 0.8 | Split |
| ED3701RC | Red/Clear | 12-24 | 0.8 | Split |

Features and Benefits

- High-intensity LEDs provide exceptional warning
- 13 flash patterns
- Ultra low-profile surface mount
- Synchronizable
- Die cast base with polycarbonate lens
- Temperature Range: -22°F to +122°F (-30°C to +50°C)

Flash Patterns (13)

- Single
- Fast Single
- Double
- Fast Double
- Quad (default)
- Fast Quad
- Triple
- Quint
- Steady - Single
- Steady Burn
- Modulation
- 2 Double, 2 Triple, Alt
- 4 Single, 2 Quad, Alt