

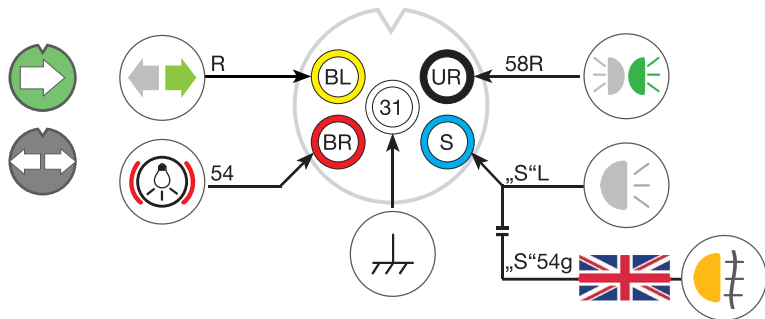
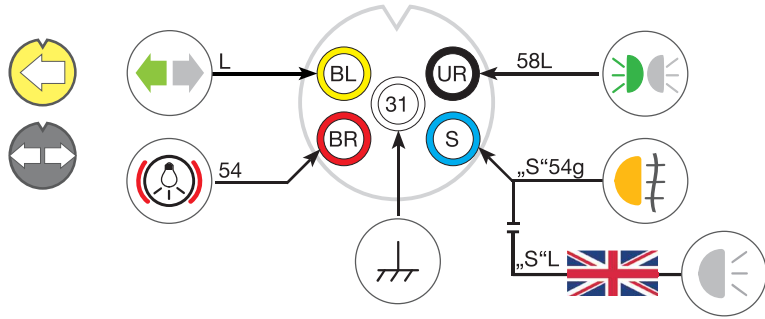
Bayonet  
5 pin



Imax=16A

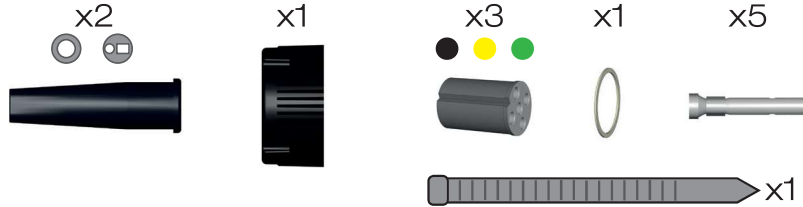


## Bayonet 5 pin female



## Mounting instruction Bayonet 5 pin female

SPARE PART NO.: 13-0521-104



- 1.
- 2.
- 3.
- 4.
- 5.

Bayonet  
5 pin



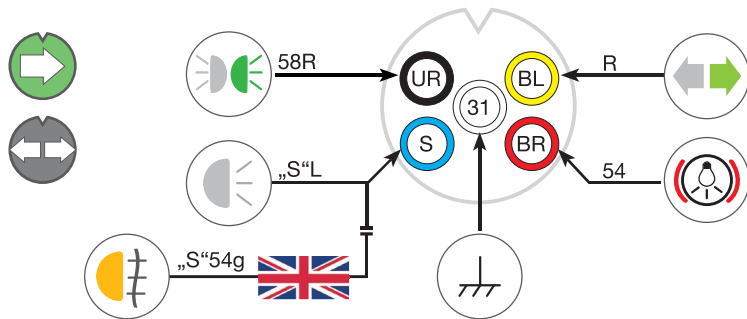
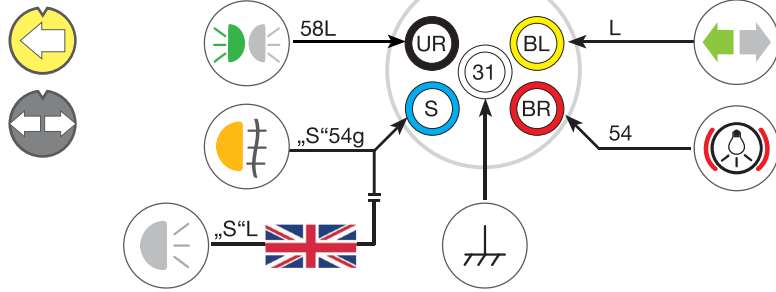
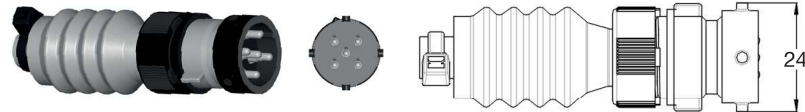
Imax=16A



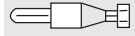
Bayonet  
5 pin



## Bayonet 5 pin male

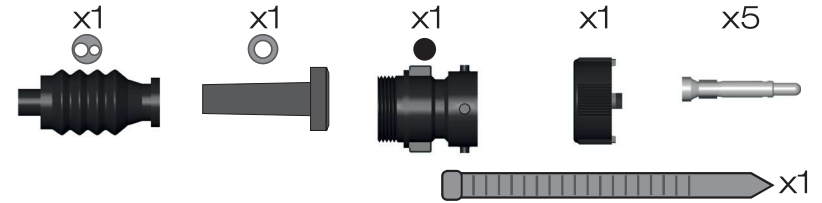


Imax=16A



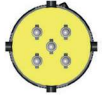
## Mounting instruction Bayonet 5 pin male

SPARE PART NO.: 13-0536-044



1. Insert the connector housing into the mounting bracket.
2. Push the mounting bracket onto the connector housing.
3. Insert the pins into the connector housing. A callout shows a 35mm length and a 5mm gap.
4. Tighten the nut and washer onto the pins. A warning icon is shown.
5. Tighten the screwdriver onto the connector housing. A green checkmark is shown.

Bayonet  
5 pin



Imax=16A

